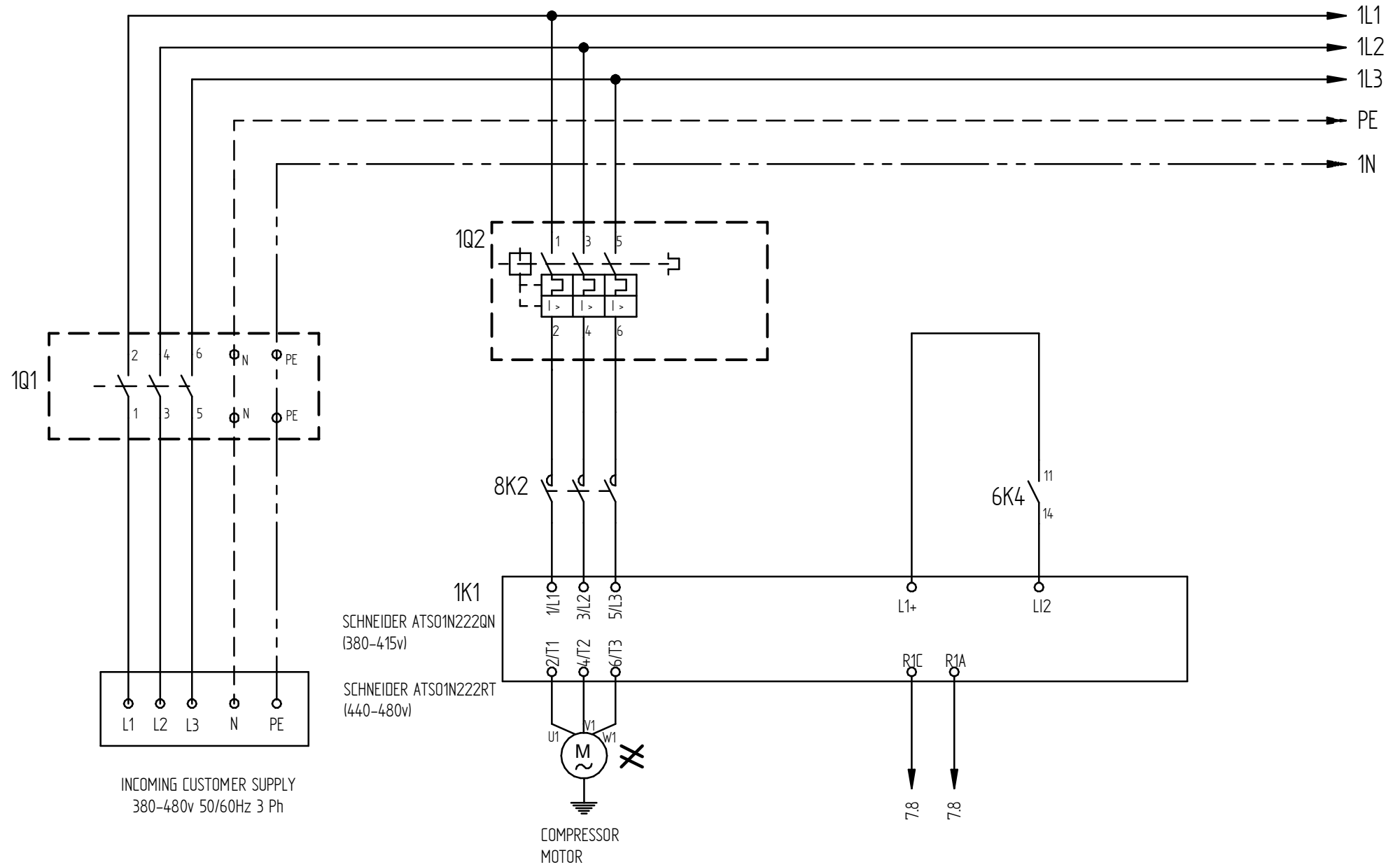


IF IN DOUBT, ASK!!



	NAME	DATE
DRAWN	User2	03/03/16
CHECKED		

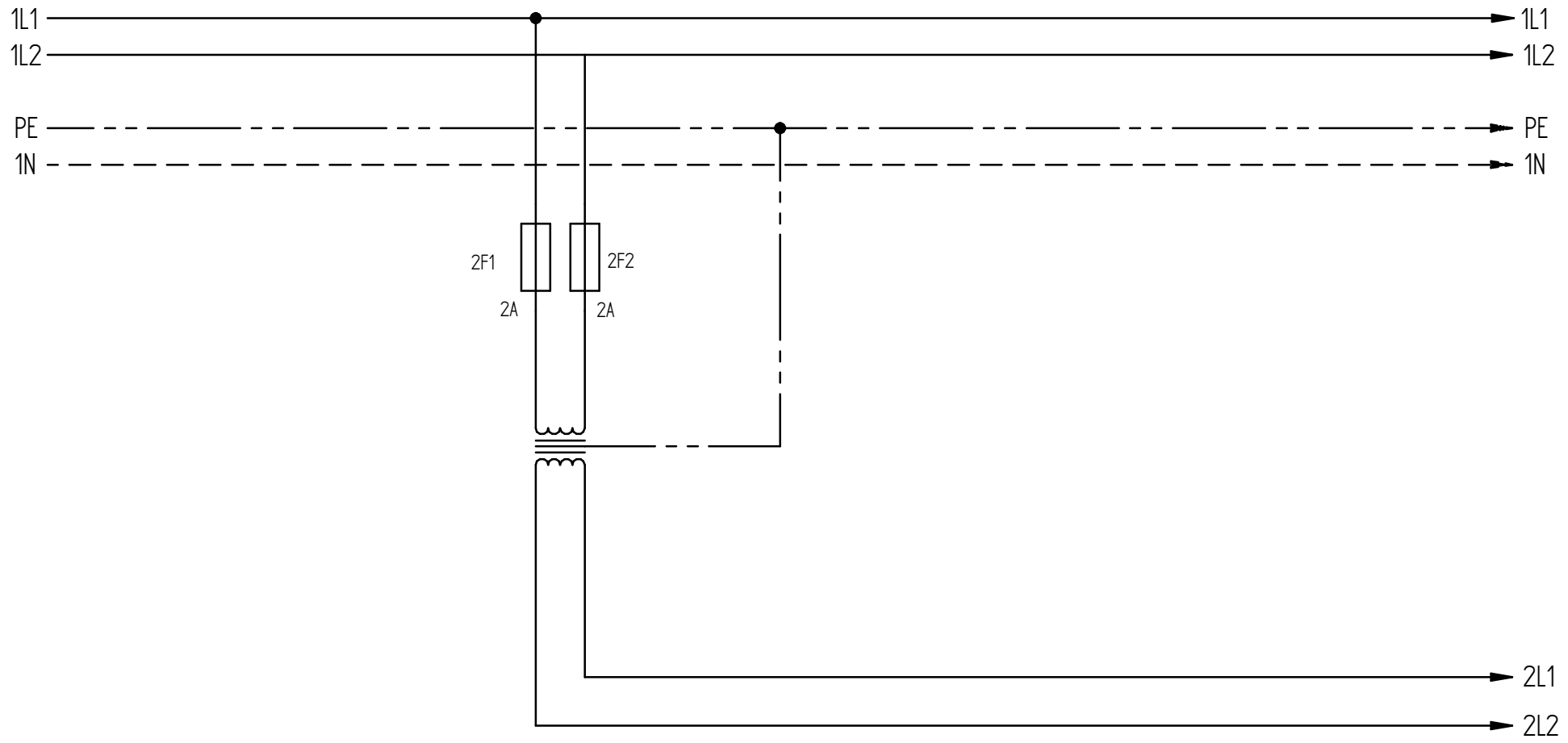
SIZE A4
 SHEET 1 OF 8
 FILE NAME: S2008.dft

MAXIMATOR® Unit 9 King St Trading Estate
 Maximum Pressure. Middlewich, Cheshire, CW10 9LF, UK

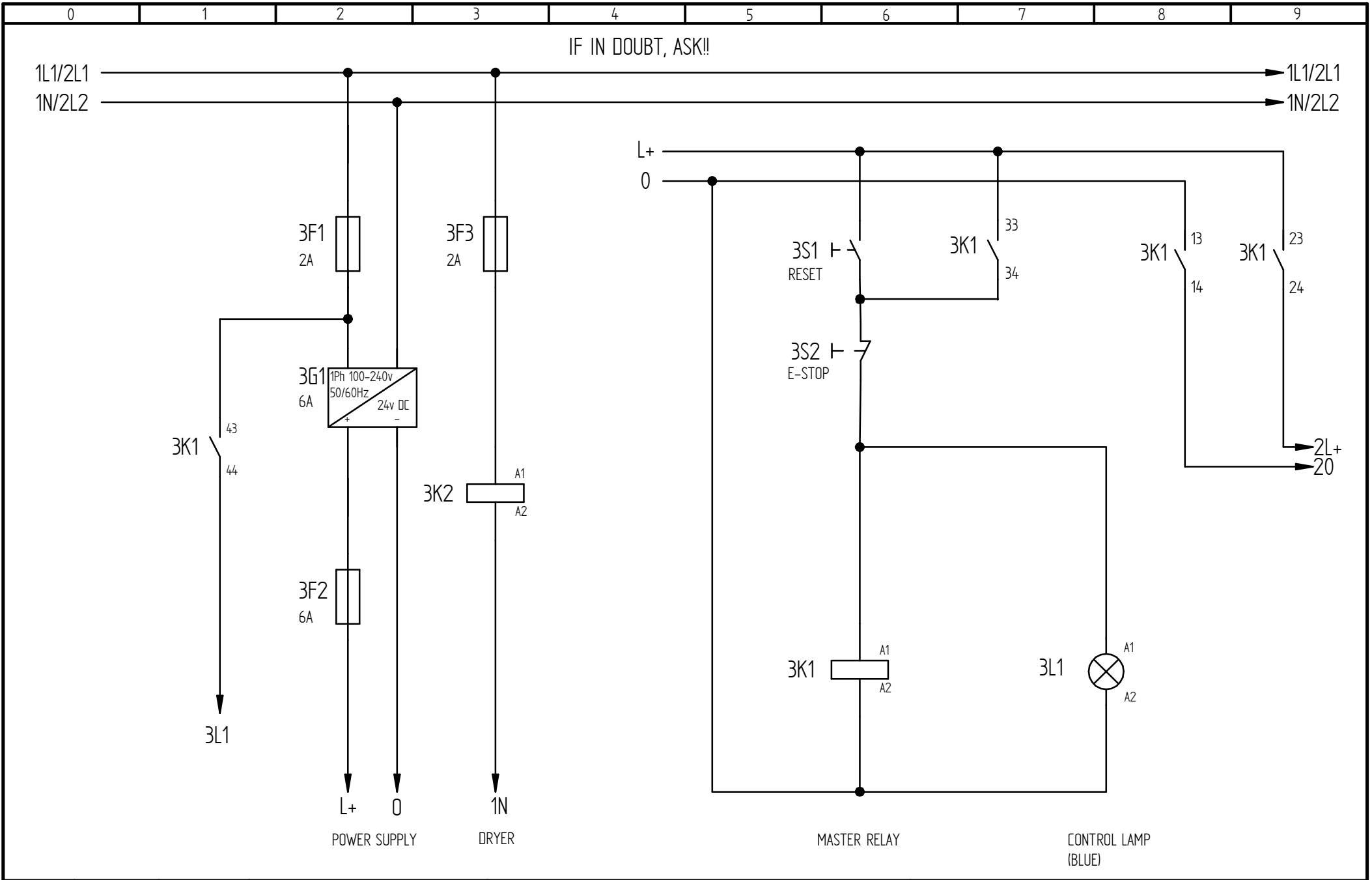
ELECTRICAL SCHEMATIC, VP1515, VP250/350. V8
 DWG NO S2008

REV
 A

IF IN DOUBT, ASK!!



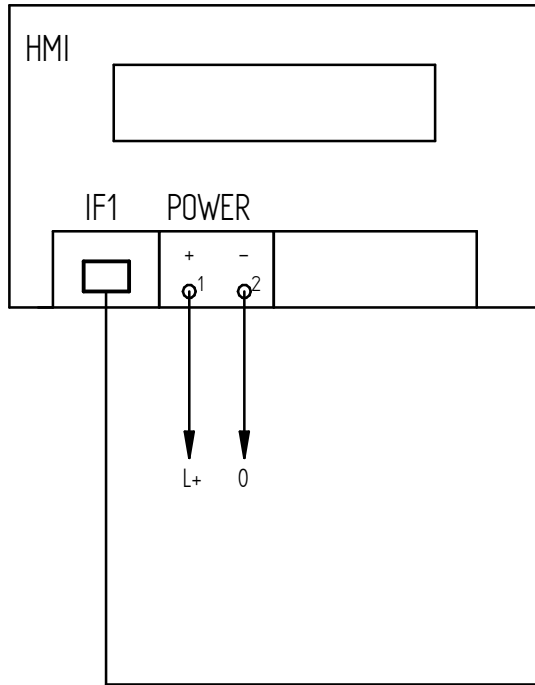
CONTROL
TRANSFORMER
(IF FITTED)



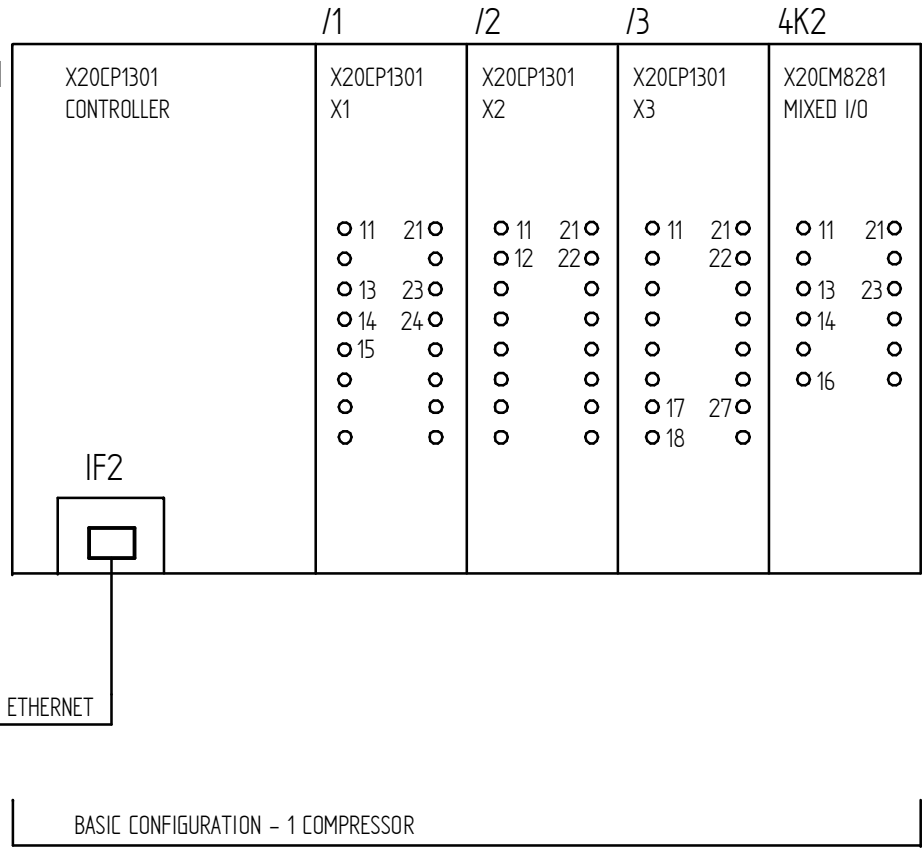
	NAME	DATE	SIZE	SHEET 3 OF 8	MAXIMATOR ® Unit 9 King St Trading Estate Maximum Pressure. Middlewich, Cheshire, CW10 9LF, UK	ELECTRICAL SCHEMATIC, VP1515, VP250/350. V8 DWG NO S2008	REV
DRAWN	User2	03/03/16	A4	FILE NAME: S2008.dft			A
CHECKED							

IF IN DOUBT, ASK!!

4A1



4K1



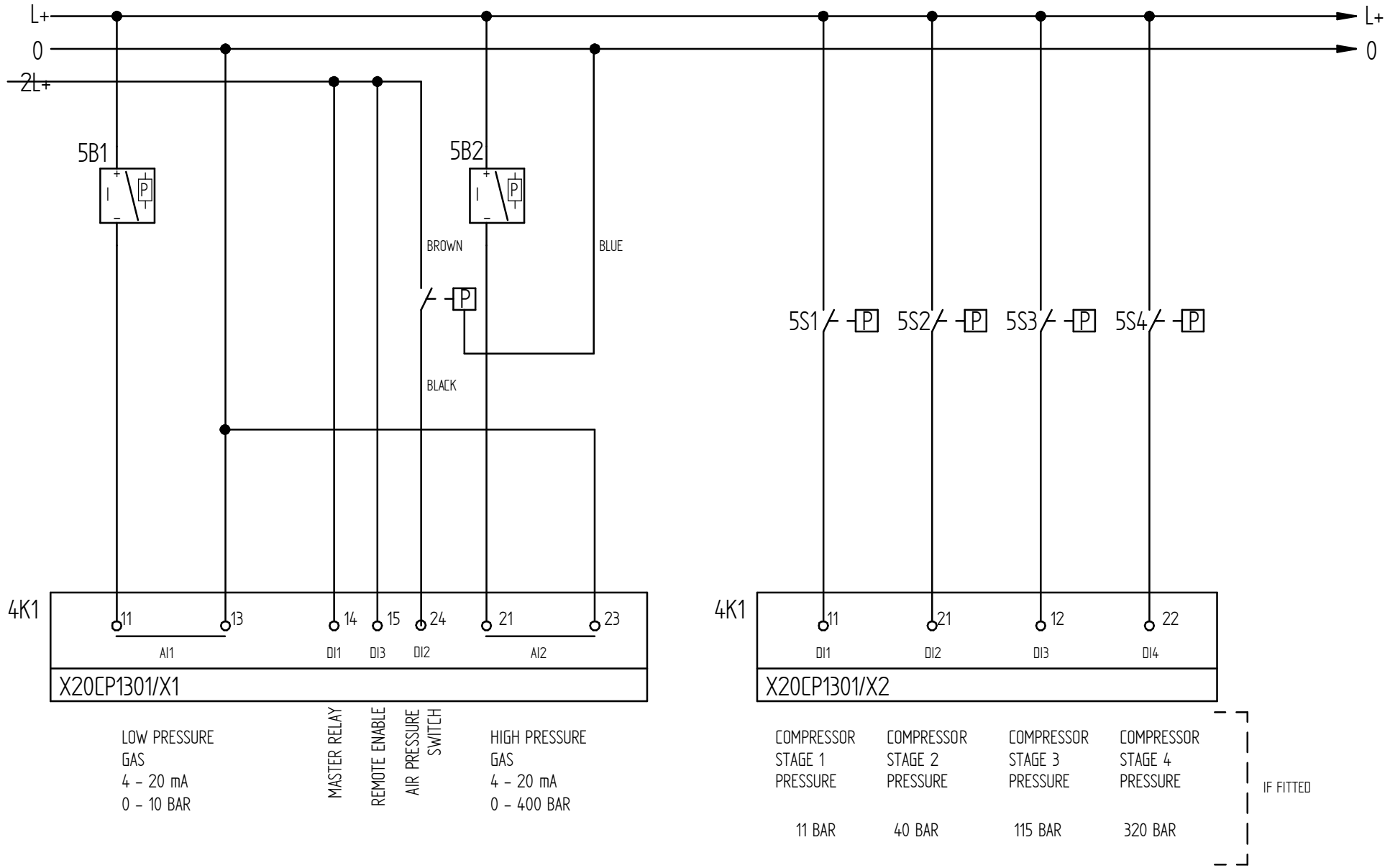
	NAME	DATE
DRAWN	User2	03/03/16
CHECKED		

SIZE A4 SHEET 4 OF 8
 FILE NAME: S2008.dft

MAXIMATOR® Unit 9 King St Trading Estate
 Maximum Pressure. Middlewich, Cheshire, CW10 9LF, UK

ELECTRICAL SCHEMATIC, VP1515, VP250/350. V8
 DWG NO S2008 REV A

IF IN DOUBT, ASK!!



LOW PRESSURE GAS
4 - 20 mA
0 - 10 BAR

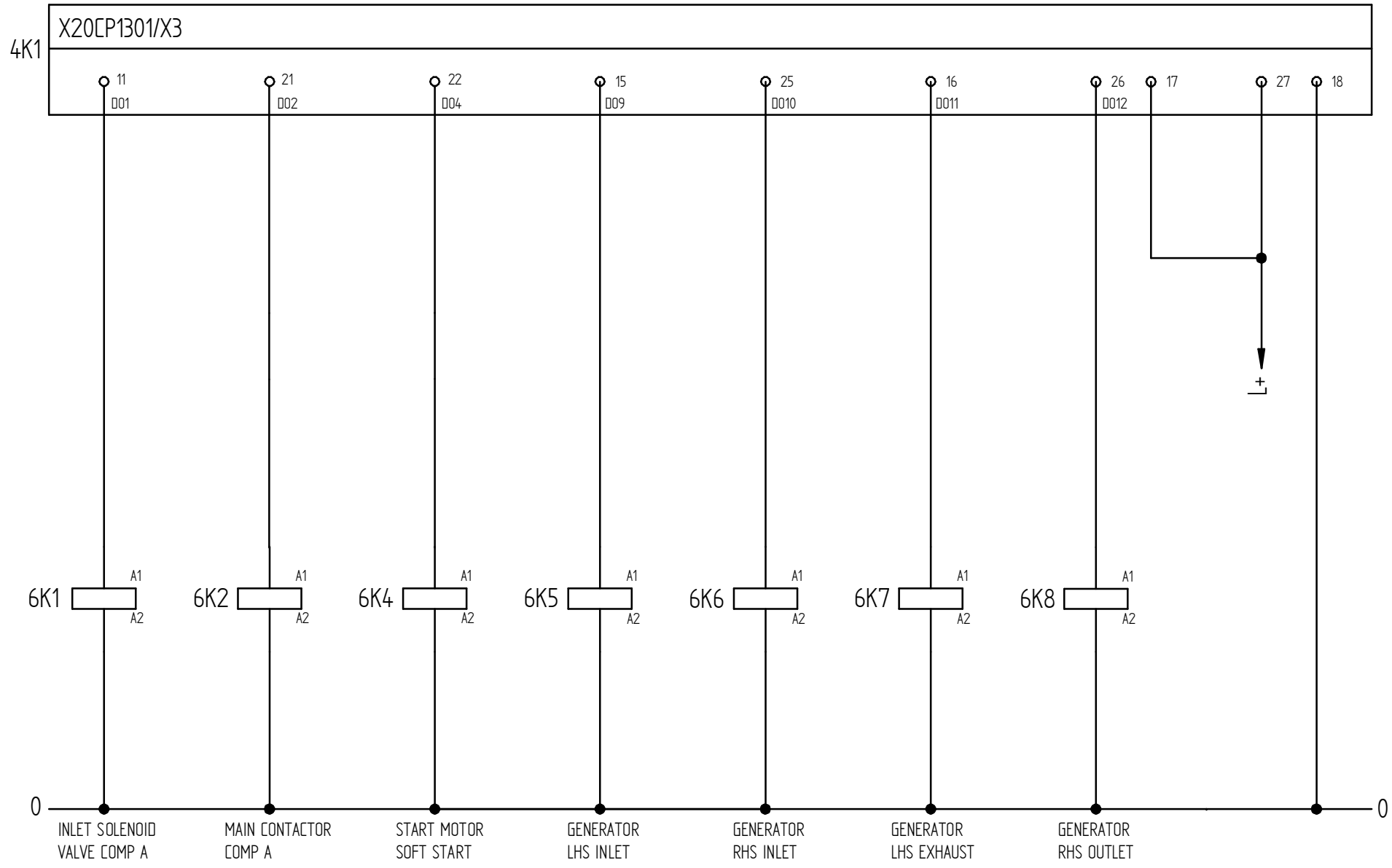
MASTER RELAY
REMOTE ENABLE
AIR PRESSURE SWITCH

HIGH PRESSURE GAS
4 - 20 mA
0 - 400 BAR

COMPRESSOR STAGE 1 PRESSURE 11 BAR
COMPRESSOR STAGE 2 PRESSURE 40 BAR
COMPRESSOR STAGE 3 PRESSURE 115 BAR
COMPRESSOR STAGE 4 PRESSURE 320 BAR

IF FITTED

IF IN DOUBT, ASK!!



	NAME	DATE
DRAWN	User2	03/03/16
CHECKED		

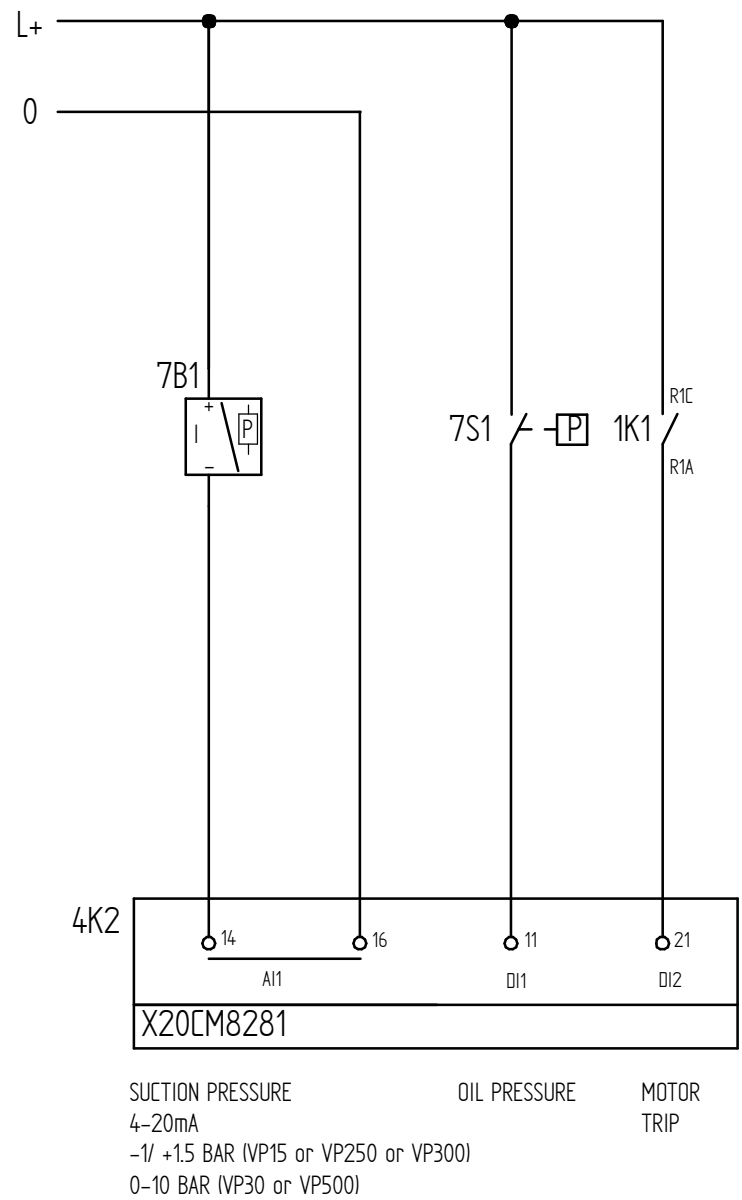
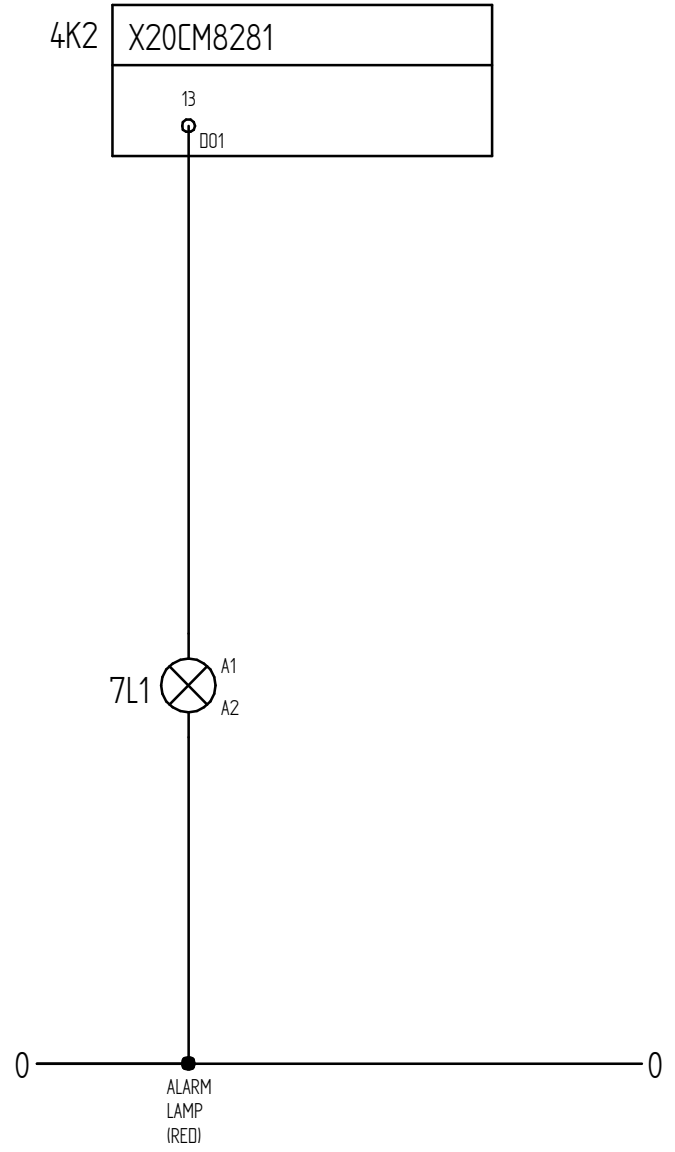
SIZE A4 SHEET 6 OF 8
 FILE NAME: S2008.dft

MAXIMATOR® Unit 9 King St Trading Estate
 Maximum Pressure. Middlewich, Cheshire, CW10 9LF, UK

ELECTRICAL SCHEMATIC, VP1515, VP250/350. V8
 DWG NO S2008

REV A

IF IN DOUBT, ASK!!



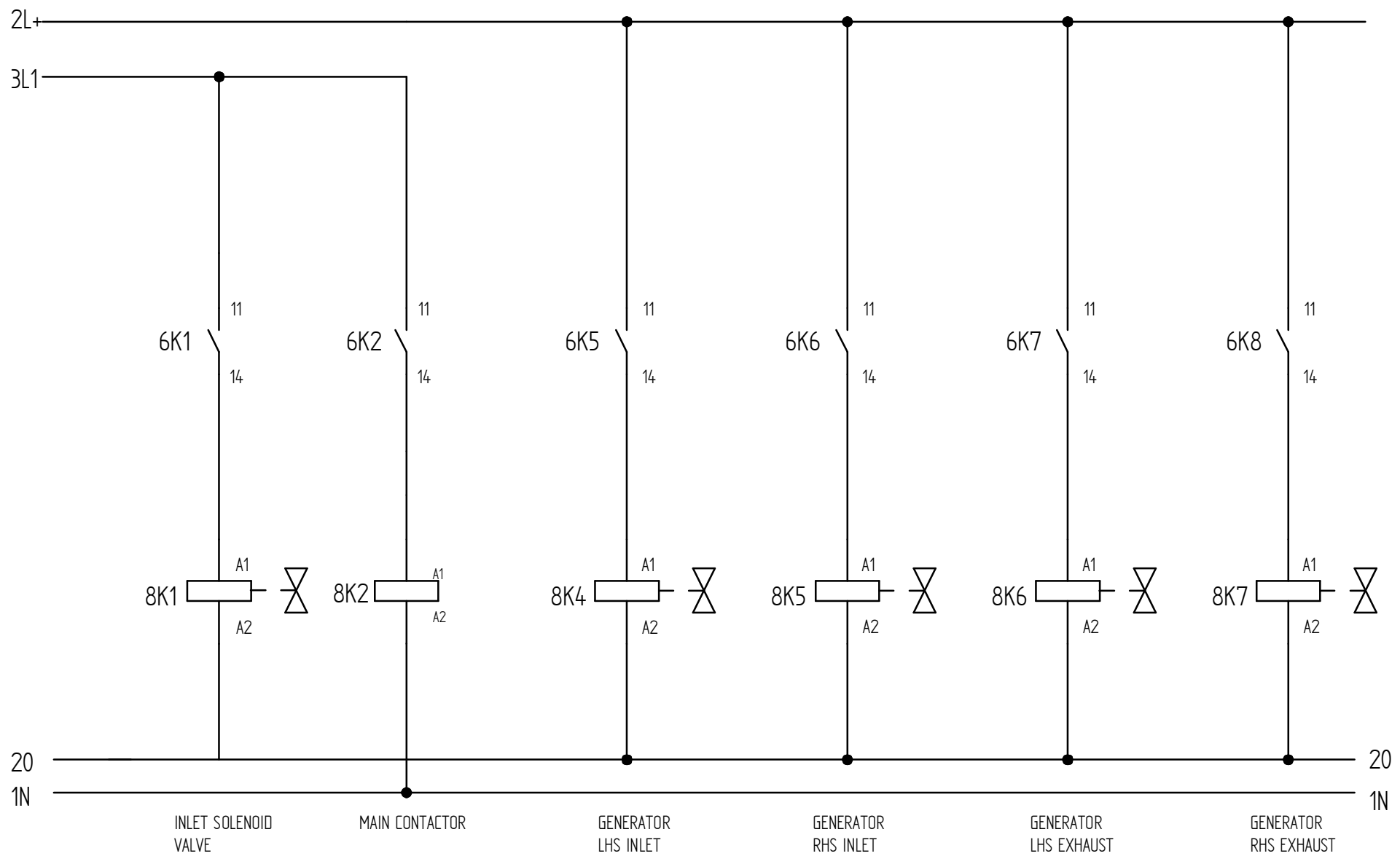
	NAME	DATE
DRAWN	User2	03/03/16
CHECKED		

SIZE A4 SHEET 7 OF 8
 FILE NAME: S2008.dft

MAXIMATOR® Unit 9 King St Trading Estate
 Maximum Pressure. Middlewich, Cheshire, CW10 9LF, UK

ELECTRICAL SCHEMATIC, VP1515, VP250/350. V8
 DWG NO S2008 REV A

IF IN DOUBT, ASK!!



	NAME	DATE
DRAWN	User2	03/03/16
CHECKED		

SIZE A4
 SHEET 8 OF 8
 FILE NAME: S2008.dft

MAXIMATOR® Unit 9 King St Trading Estate
 Maximum Pressure. Middlewich, Cheshire, CW10 9LF, UK

ELECTRICAL SCHEMATIC, VP1515, VP250/350. V8
 DWG NO S2008

REV A